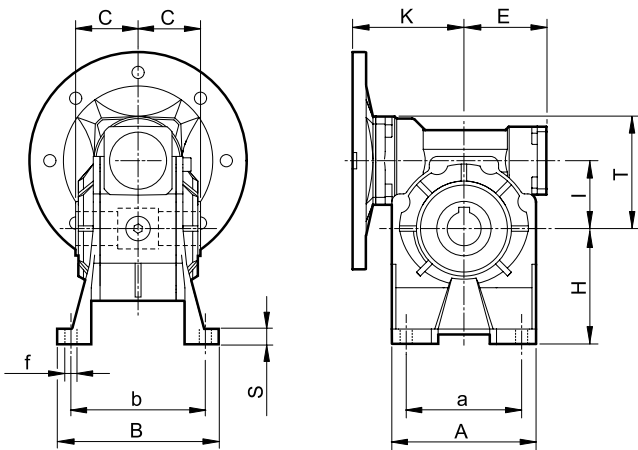


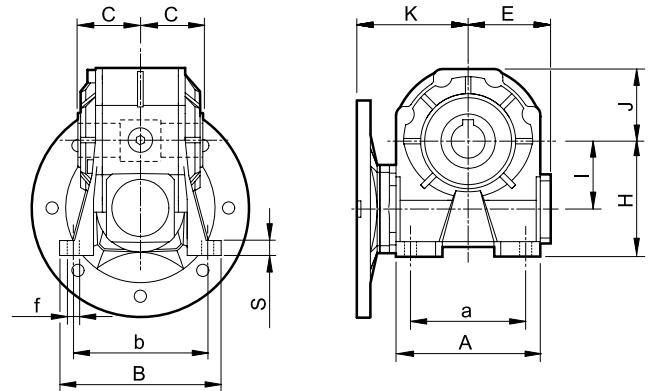
3.7 Dimensioni

3.7 Dimensions

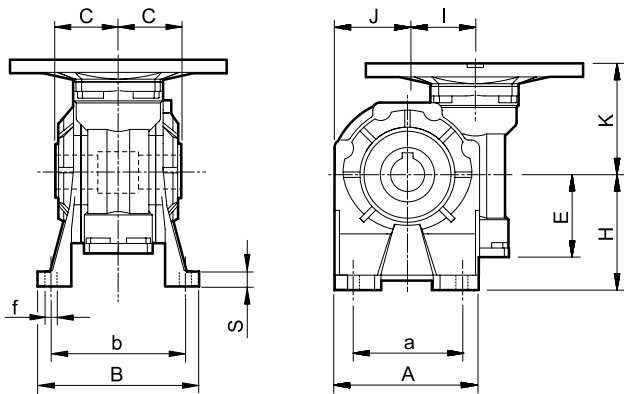
3.7 Abmessungen



KC..A



KC..B



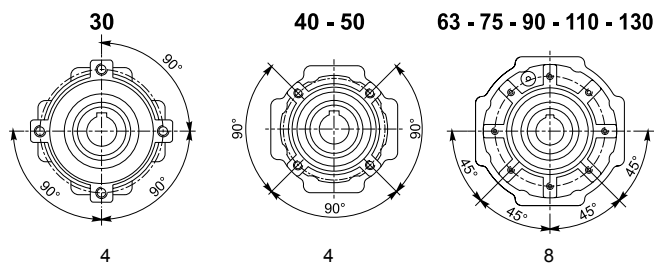
KC..V

	30	40	50	63	75	90	110	130
<b>b2</b>	5	6 (6)	8 (8)	8	8 (8)	10	12	14
<b>C</b>	31.5	39	46	56	60	70	77.5	85
<b>D2 H7</b>	14	18 (19)	25 (24)	25	28 (30)	35	42	45 (48)
<b>E</b>	41	51	60	71	85	103	127.5	147.5
<b>G h8</b>	55	60	70	80	95	110	130	180
<b>I</b>	31.5	40	50	63	75	90	110	130
<b>J</b>	37.5	43.5	53.5	64	78	100	122	131
<b>K</b>	57	75	82	97	114	122	153	173
<b>M</b>	M6x8	M6x10	M8x10	M8x14	M8x14	M10x18	M10x18	M12x20
<b>Pp</b>	29	36.5	43.5	53	57	67	74	81
<b>R</b>	65	75	85	95	115	130	165	215
<b>T</b>	52.5	68.5	82.5	100.5	116.5	131.5	161.5	181
<b>t2</b>	16.3	20.8 (21.8)	28.3 (27.3)	28.3	31.3 (33.3)	38.3	45.3	48.8 (51.8)
<b>X</b>	1.5	1.5	1.5	2	2	2	2.5	3



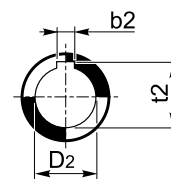
Flangia pendolare / Side cover for shaft mounting / Aufsteckflansch

	Piedi Feet Fuß	30	40	50	63	75	90	110	130
<b>A</b>	1	67	86.5	106	127.5	155.5	190	250	295
	2	67	86.5	106			190	250	
<b>a</b>	1	40-52	70	63-85	95	120	140	200	235
	2	40-52	52	63-85			140	200	220
<b>B</b>	1	78	98	119	136	140	168	210	229
	2	78	98	119			168	210	
<b>b</b>	1	66	84	99	111	115	140	162	190
	2	66	81	99			146	181	
<b>f</b>	1	6.5	7	9	11	11	13	13	15
	2	6.5	8.5	9			11	13	
<b>H</b>	1	52	71	85	100	115	135	172	200
	2	55	72	82			142	170	
<b>S</b>	1	5	9	11	12	12	14	17	20
	2	8	10	8			14	15	



Fori / Holes / Bohrungen Fori / Holes / Bohrungen Fori / Holes / Bohrungen

KC..P



Albero uscita cavo  
Hollow output shaft  
Abtriebshohlwelle